

■ Programmable Digital Panel Meter UM 3021

Highlights

- Signal Input 0 - 10 V and 0/4 - 20 mA
- DIN Housing 96 x 48 mm
- LED Display 14 mm
- Panel or Mosaic System Mounting
- Plug-In Screw Terminal
- Alarm or Serial Output
- Analog Output 0/4...20 mA
- Linearization
- Sensor Supply (24 VDC/0.1A)
- Power Supply 85...240 VAC

UM 3021

Standard functions

- Voltage 0 - 10 V
- Current 0 - 20 mA resp. 4 - 20 mA
- Display range -999 .. 9999
- Resolution max. 4000 digits
- Accuracy 0,1% ±1 digit

Software Functions

- Scaling-factor
- Userdefined linearization up to 9 points
- Adjustable digital filter
- Peak detection
- Decimal point
- Last digit in 1, 2, 5 or 10 steps
- Display test

Functions Of Push Buttons And Digital Input Channels

The instrument is provided with four push buttons at the front and three digital input channels at the rear. Following functions can be carried out:

- Programming
- Display test
- Reset of peak detection
- Display of limiting value

Optocouple Output Channel

The instrument is provided with a optocoupler output. This output can be programmed for two functions.

1. Serial Output

Continually measured value transmitting at ASCII-Code with following data format

- Sign or X, X, X, (dp), X, 0D_H, 0A_H
- 9600 Bd, 1 start bit, 8 data bits, 1 stop bit



2. Alarm Output

The instrument is provided with an optocoupler output. Following function can be programmed:

- Alarm point and hysteresis
- High or low alarm
- During normal measurement the limit value can be programmed by the push buttons "+" and "-".

Analog Output

- Programmable between 4...20 mA or 0... 20 mA

Sensor Supply

- A sensor supply of 24 VDC / 100 mA is standard.

Power Supply

- 85 .. 240 V AC isolated

Programming

By means of a programming menu the user is taken through the programming of the unit. The programming can be carried out by the push buttons at the front.

Options

Housing

- Switch board mounting DIN 43700
- Mosaic system mounting (Subklev, Siemens 8RU)

Color Of The Front Frame

- Black

Front Design

- Front foil ERMA-METER or NEUTRAL
- Unit overprint

Color Of The Display

- Red

Technical Specifications

Ranges	
Voltage	: 0...10 VDC
Input impedance	: at voltage > 1 M
Current	: 0...20 mA, 4...20 mA
Input impedance	: 10
Display	
	: 4 decades, 14 mm, red
Conversion rate	: approx. 5 per sec
Digital inputs	
	: 10 k to +5 V
	: low level < 0,4 V
	: high level > 3,5, max. 30 V
Optocouple output	: max. 10 / 70 V, max. 150 mW
Sensor Supply	: 24 VDC, 100 mA
Serial data	
	: 9600 baud, 1, 8, N, 1
Power supply DC	: 85 ... 240 V AC
Power consumption	: 4,5 VA
Housing	
Dimensions	: panel mounting DIN 43700
Depth	: 63 mm
Protection	
	: front IP 54
EMV	
Operating temperature	: in conform with 89/336/EWG
	: 0 .. 50 °C

Ordering Information

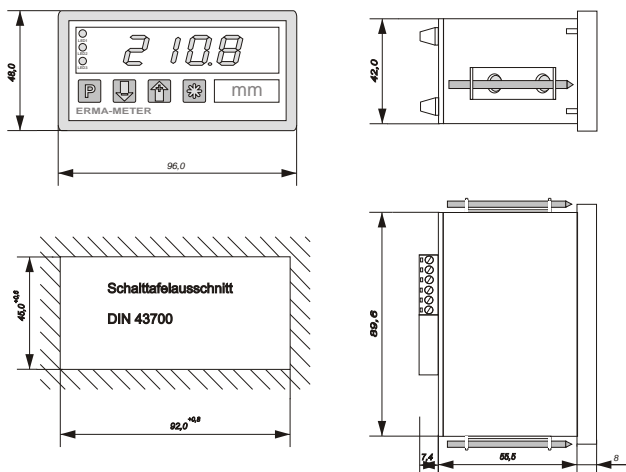
UM 3021 -	
Housing	
0	Switch board mount
1	Panel clip
Front Frame Color	
0	Black
Front Design	
0	reserve
1	Front foil ERMA-METER
2	Front foil NEUTRAL
Display Color	
0	Red
1	reserve
Power Supply	
0	85 ... 240 V AC
1	reserve
2	reserve

Unit overprint

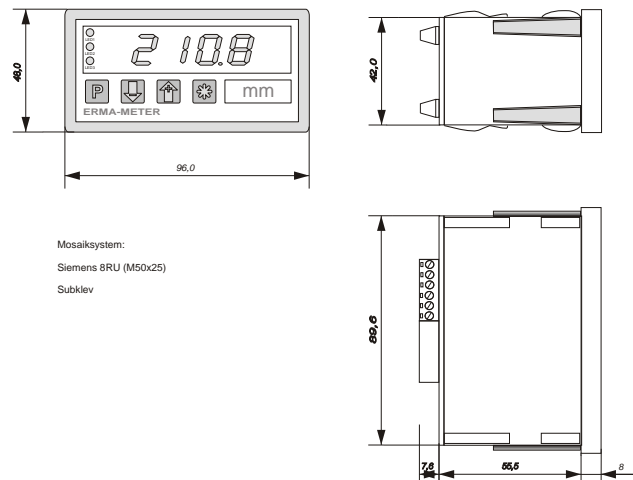
Please specify in clear text at order !

Dimensions

Panel Mounting



Panel Clip



Mosaiksystem:
Siemens 8RU (M50x25)
Subklev