

■ **Low-Cost-Panel Meter UM 2701**

**Highlights**

- High Quality Low-Cost-Meter
- LED-Display, red, 14 mm
- Display Range -1999 ... 1999
- Fronta 72 x 36 mm
- Plug In Screw Terminal Connector



**Available Ranges**

- Voltage: -199,9...199,9 mV
- Voltage: -1.999...1,999 V
- Voltage: -19,99...19,99 V
- Voltage: -199,9...199,9 V
- Voltage: -500...500 V
- Current: 0...20 mA

**Technical Datas**

- Accuracy 0,1 % ± 1 Digit
- Resolution 4000 Digit

**Options**

**Housing**

- Panel mounting DIN 43700
- Mosaic system mounting (Siemens 8RU)

**Colour of the front frame**

- Black
- Grey RAL 7037

**Front design**

- Without front foil
- Front foil ERMA-METER
- Front foil without label
- Unit label

**Specifications**

Ranges	
Voltage	
Input resistance	> 1 MΩ
Current	0 .. 20 mA, ± 0,1 %
Voltage drop	200 mV
Rate	3 samples per second
Supply voltage DC	18 V .. 36 V DC
Isolation voltage	500 V / 1 min
optional	12 V DC, ± 10 %, isolated
optional	5 V DC, ± 10 %, not isolated
Power consumption	max. 0,7 W

**Supply Voltage**

The UM 2701 is available for different supply voltages:

- 18 .. 36 V DC isolated
- 12 V DC isolated
- 5 V DC not isolated

**Ordering Information**

<b>UM 2701</b>				
				<b>Housing</b>
				0 Panel meter
				1 Panel-Clip
				<b>Bezel</b>
				0 black
				1 RAL 7037
				<b>Front</b>
				0 without front foil
				1 Front foil ERMA-METER
				2 front foil NEUTRAL
				<b>Ranges</b>
				0 200 mV
				1 2 V
				2 20 V
				3 200 V
				4 500 V
				5 20 mA
				<b>Supply voltages</b>
				0 5 V DC, ± 10%, isolated
				1 12 V DC, ± 10 %, isolated
				2 18 .. 36 V DC, not isolated

**Unit Label**

Please specify in text at order !

**Mechanical Datas**

Display	4-digit, 14 mm, red ) Decimal point programmable Sign at negative values
Case	According DIN 43700
Dimensions (B x H x T)	72 x 36 x 63,5 mm
Depth	72 mm including terminal connector
Mounting	Panel mounting or mosaic mounting
Weight	ca. 350 g
Connection	Plug in terminal connector

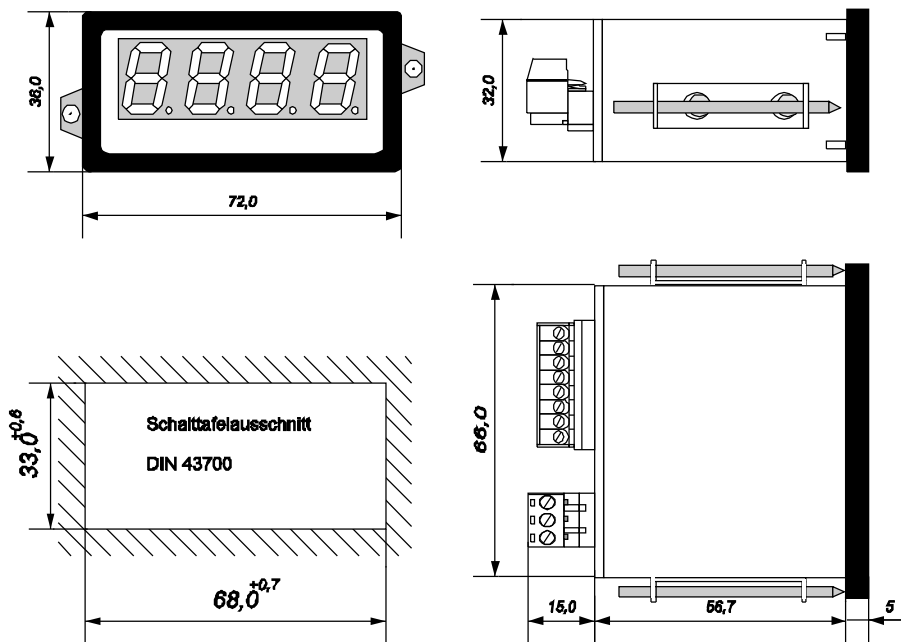
**Environmental Conditions**

Operating temperature	0 .. 50 °C
Storage temperature	-20 .. 70 °C
Humidity	< 80 %, not-condensing
Protection	Protection class II
Front protection	IP 40
Fields of application	class 2 overvoltage protection II
CE	in conform with 89/336/EWG NSR 73/23/EWG

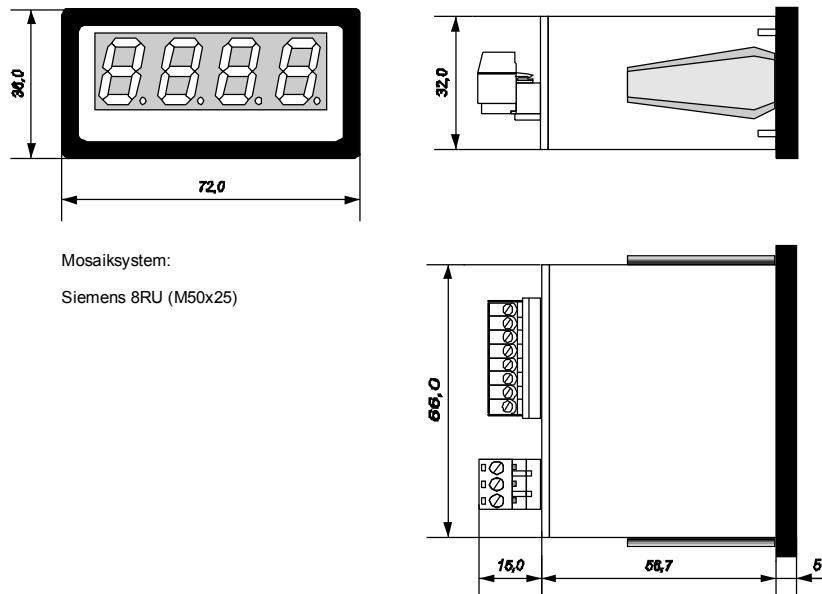
**Connections**

Input channel (+)	Terminal 1
Input channel GND (-)	Terminal 2
Power supply (-)	Terminal 3
Power supply (+)	Terminal 4

**Panel Meter**



**Panel Clip**



Mosaiksystem:  
Siemens 8RU (M50x25)